

# **ACS8C EXCELSIOR ASSEMBLY MANUAL**

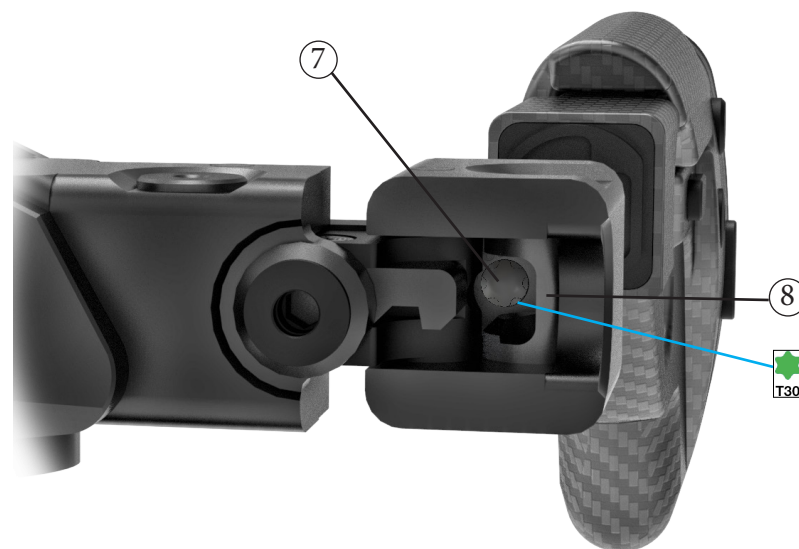
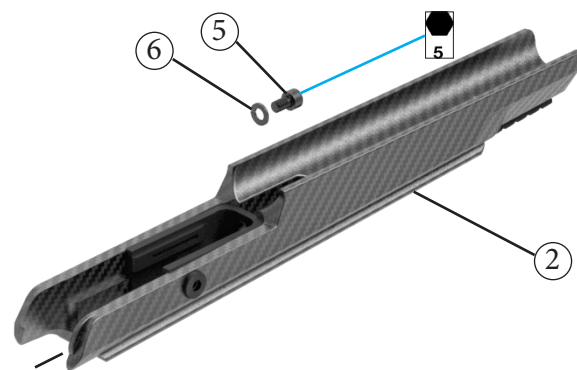
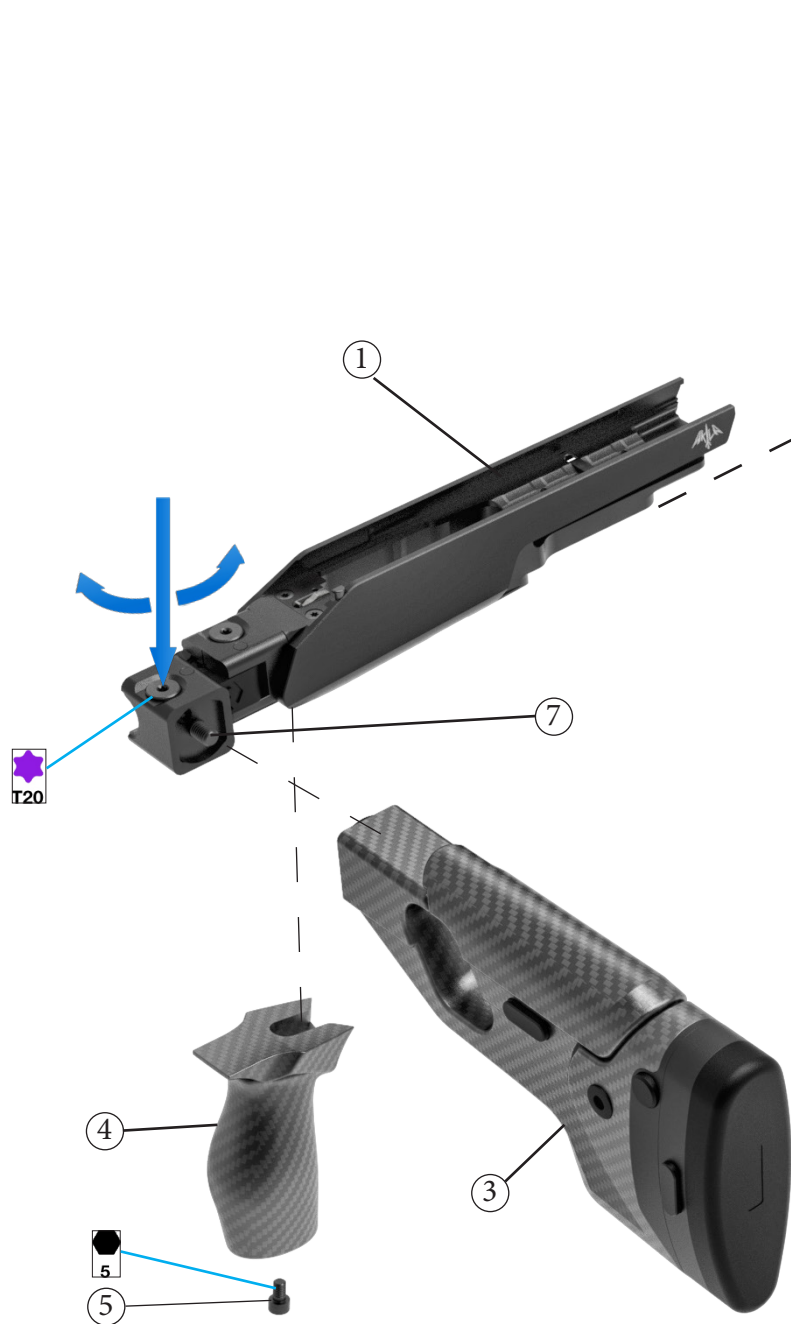
**AKILA CHASSIS SYSTEM**  
**<https://akila.ltd/downloads/>**

**AKILA d.o.o**  
**2025**













# ACSR8C

# Excelsior



N	Name
1	Center part ACSR8C Excelsior
2	Forend E
3	Buttstock E
4	Grip E
5	Screw M6x10 (Hex5)
6	Spring Washer 6
7	Screw M8x16 (Torx 30)
8	Folding button (Torx 20)

									
<b>M8X25</b>	<b>M6X25</b>	<b>M6X45</b>	<b>M6X25</b>	<b>M5X16</b>	<b>M6X20</b>	<b>M5X10</b>	<b>M6X16</b>	<b>M5X16</b>	<b>M4X10</b>
6	5	5	5	4	4	3	T30	T25	T20
<b>12</b>	<b>10</b>	<b>5</b>	<b>10</b>	<b>5</b>	<b>5</b>	<b>3</b>	<b>10</b>	<b>6</b>	<b>3</b>
<b>Tightening force (kN)</b>									

